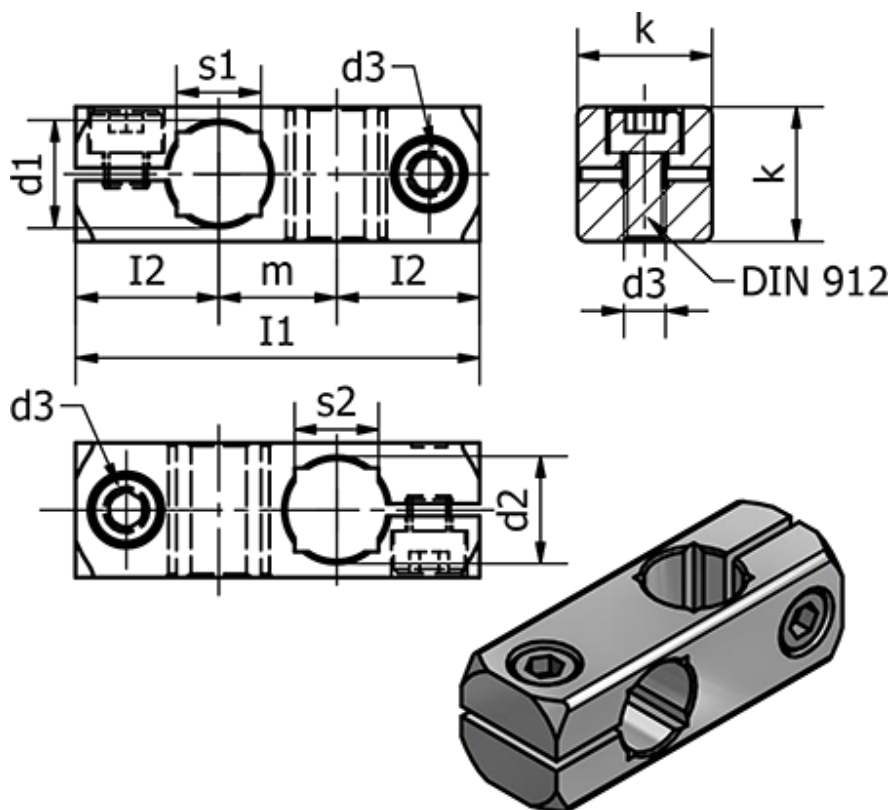


Article number: 20474B15B12ELS

Description: E+G Two-way clamp mounting - GN 474-B15-B12-ELS

Measures



Clamping kit for $d3 = \text{GN 511-M6-20}$

$d1 \text{ h11} = 15$

$d2 \text{ h11} = 12$

$d3 = 6$

$I1 = 58$

$I2 = 20.5$

$k = 25$

$m = 17$

$s1 = 12$

$s2 = 10$

Weight (g) = 47